

ESTRELLA

ESTRELLA is a unique lighting solution that boasts a special design in its shielding angle and beam angle, giving a glare-free manner of lighting. Crafted with precision from Die Cutting Aluminum, the light is both durable and elegant. The Plastic defuser further adds to the functionality by dispersing light evenly in various angles. This lighting solution provides a perfect balance of brightness and ease on the eyes, making it perfect for any setting, whether it be for home, office or commercial spaces. ESTRELLA's sleek design adds to any décor and provides the perfect amount of illumination for any circumstance.

TYPE

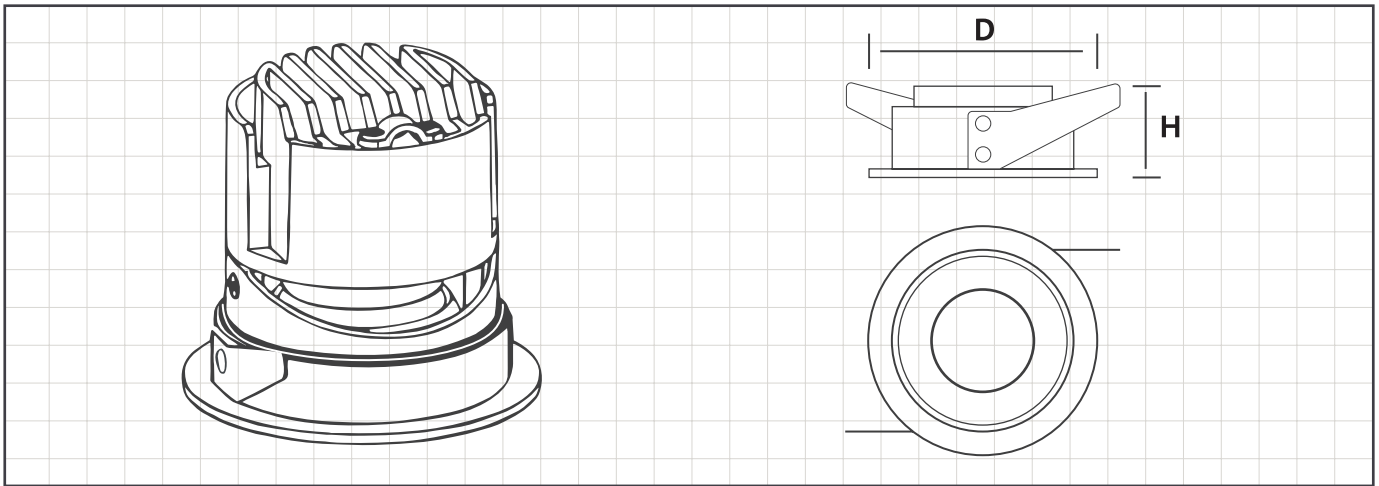
SpotLight - Recessed



■ Technical Specification

	LV-estrella-7w-WB	LV-estrella-12w-WB	LV-estrella-20w-WB
Power	7W	12W	20W
Efficiency	130lm/w	130lm/w	130lm/w
Luminous flux [lm]	910 lm	1560 lm	2600 lm
CRI	>90	>90	>90
Inbut Voltage	AC 220-240V	AC 220-240V	AC 85-265V
Beam Angle	36°	36°	36°
Chip	COB OSRAM	COB OSRAM	COB OSRAM
Driver	Lifud	Lifud	Lifud
Body Color / Reflector	White/Black	White/Black	White/Black
Dimension	D58 X H65mm	D77 X H85mm	D100 X H110mm
Cut-out	55mm	70mm	95mm
EAN	6925222022132	6925222022156	6925222022163

■ Technical Drawing



■ Features



36° Beam Angle

Driver Brand Options



LEVANT **MW** **DONE MOSO** **PHILIPS**
LIFUD **EAGLE RISE**

Chip Brand Options



OSRAM **LUMILEDS** **bridgelux** **EPISTAR**
CREE **SAMSUNG**

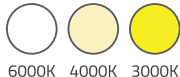


IP20



NO FLICKER

CCT IK1



6000K 4000K 3000K

Body color



Life Span
35000 h



Efficiency
130lm/w

Application



House



Restaurant



companies



Store