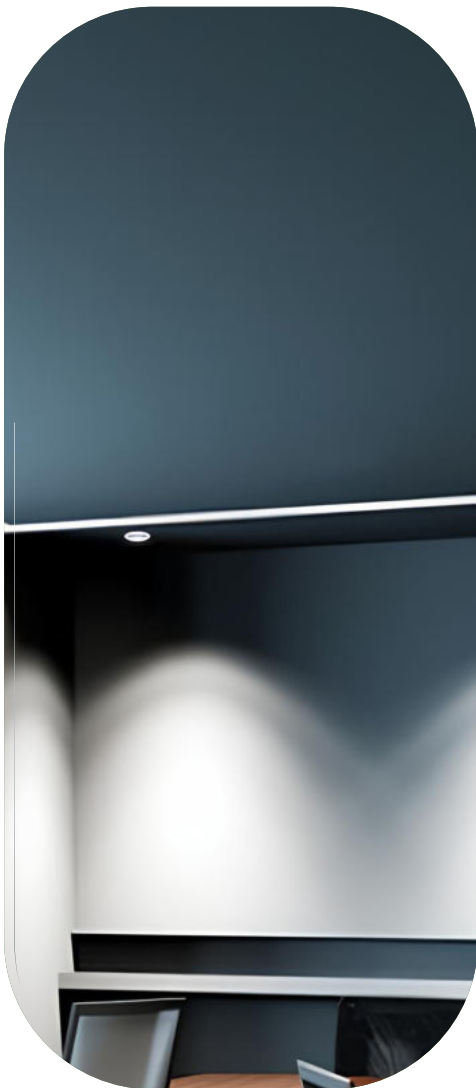


Lv-DDL

The Lv-DDL is a modern and stylish downlight perfect for interior ceiling lighting. The body is made of die-cut aluminum, ensuring durability and stability. The PS lens used has a high transparency rate, providing excellent light dispersion. This recessed light is available in various sizes and temperature colors to suit different preferences. The Lv-DDL is a perfect combination of style and functionality, making it a must-have for any modern setting.

TYPE

DownLight - Recessed



■ Technical Specification

	LV-DDL-7W	LV-DDL-12W
Power	7W	12W
Efficiency	100 lm/w	100 lm/w
LUMINOUS: flux (lm)	700	1200
CRI	>80	>80
Inbut Voltage	AC 85-265V	AC 85-265V
Beam Angle	40°	40°
Chip	SMD	SMD
Driver	isolated	isolated
Body Color	White	White
Dimension	D88*H45mm	D130*H65mm
Cut-out	75mm	105mm
EAN	6925222035552	6925222035569

Driver Brand Options  







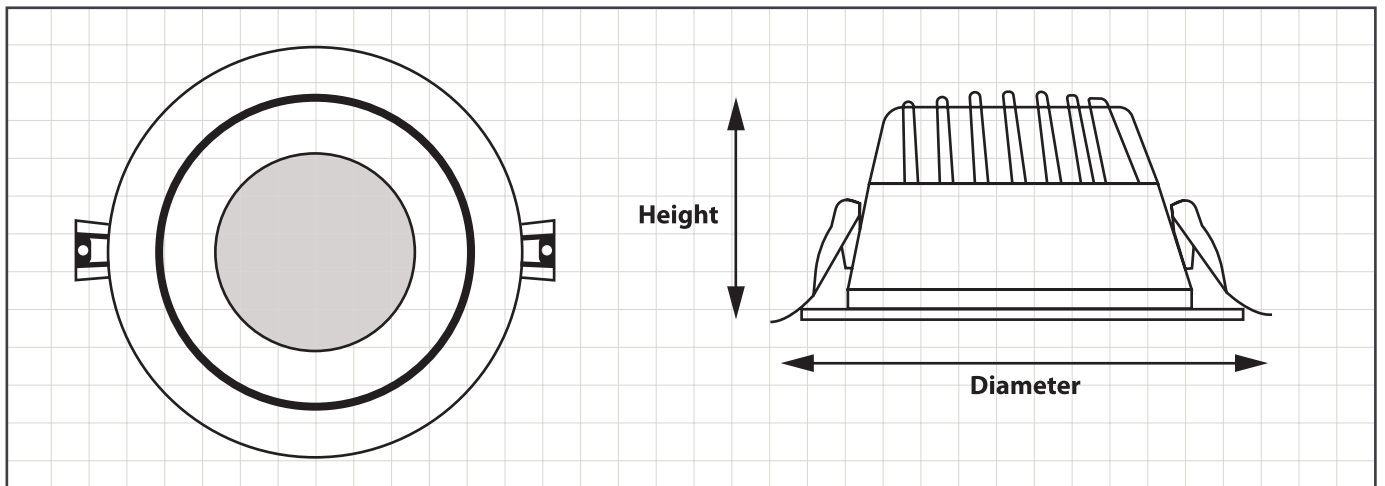

Chip Brand Options  








■ Technical Drawing



■ Features



40° Beam Angle

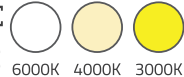


IP20



NO FLICKER

CCT IK



6000K 4000K 3000K

Body color



Life Span
35000h



Efficiency
100 lm/w

Application



General Lighting



Show Room



Office



Healthcare



Education