

# LVW Series



The LVW is a high-quality downlight that is perfect for use in bathrooms, kitchens, and other locations where moisture is present. Crafted with the highest level of craftsmanship and care, this piece has an aluminum body that is both durable and functional. With an IP65 waterproof rating, it is designed to protect against water and other liquids, making it ideal for humid or damp environments. The smd LED light delivers exceptional performance, providing bright and clear illumination while consuming minimal power. Designed to be both intelligent and functional, this downlight offers top-level performance that is sure to meet your needs.

## TYPE

DownLight - Recessed



## ■ Technical Specification

	LVW-7W	LW-12W
Power:	7W	12W
Efficiency:	100 lm/w	100 lm/w
Luminous: flux [Lm]	700	1200
CRI:	>90	>90
Chip:	SMD	SMD
Voltage:	85 - 265V	85 - 265V
Dimensions:	D90*H67 mm	D108*H72 mm
Cut-out:	 80mm	 100mm
EAN	6925222039154	6925222039185

Driver Brand Options 







Chip Brand Options 

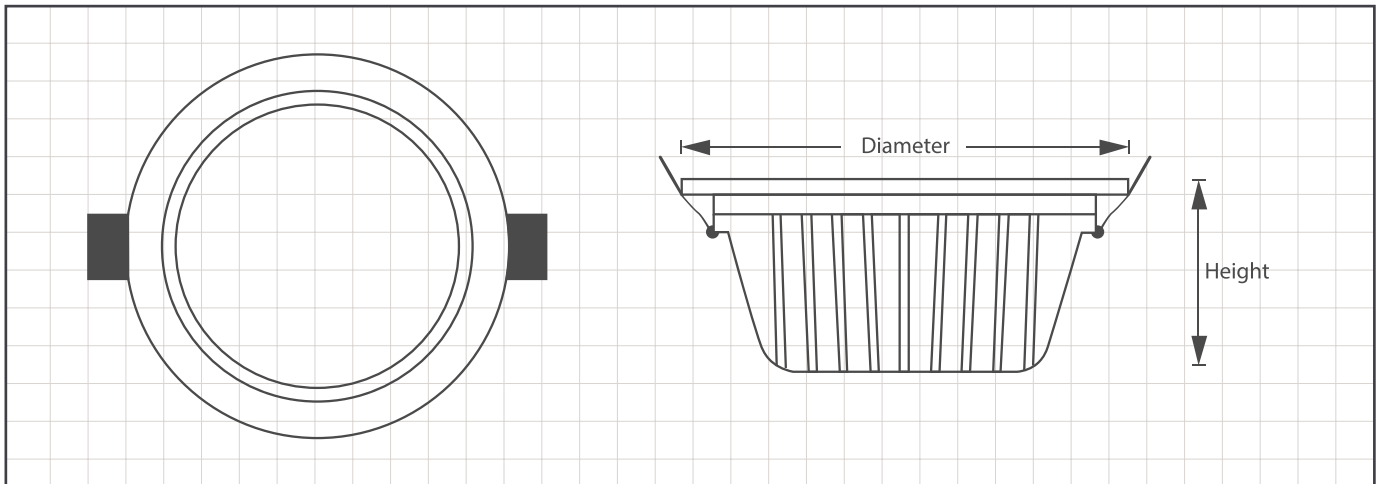






## ■ Technical Drawing



## ■ Features



120° Beam Angle



IP65 Protected against water jets from any angle.

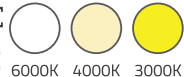


IP65



NO FLICKER

CCT



6000K 4000K 3000K

Body color 



Life Span 50000h



Efficiency 100 lm/w

Application



Kitchen



Restaurant



Bathroom