

LED EMERGENCY DRIVER

•
•

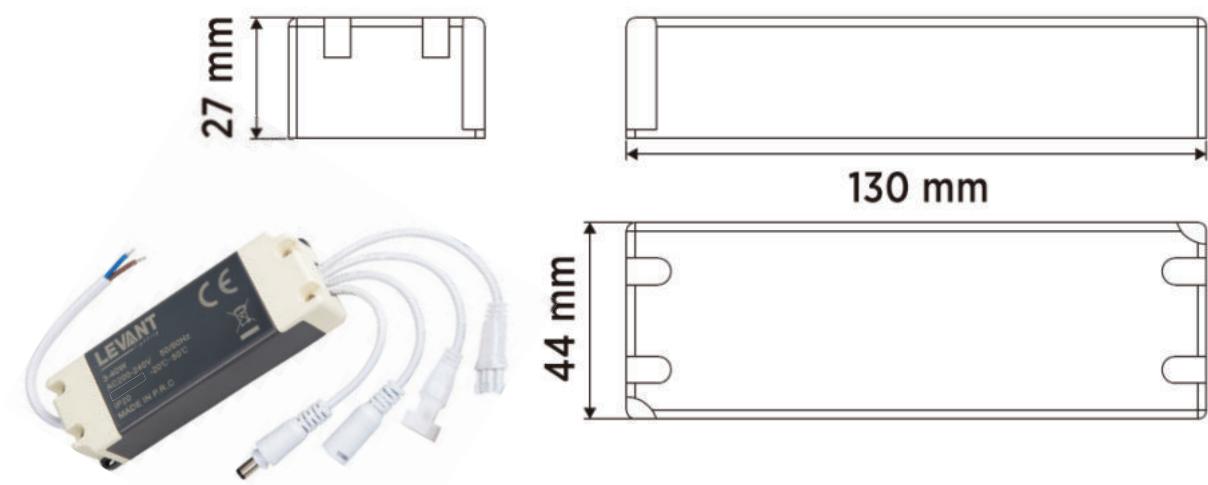
Emergency LED drivers allow LED fixtures to serve as emergency lighting sources.

It can be used for any type of lighting within the mentioned power so that there is light, in emergency situations in corridors, companies, educational place, hospitals, offices, shopping areas, utilities and places that need to be illuminated in cases of power outages.

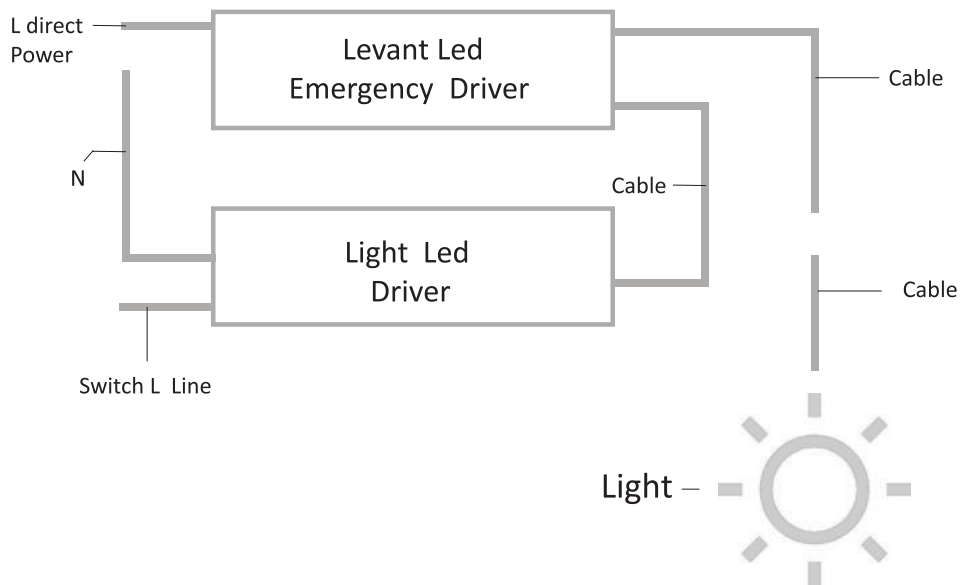
•
•



■ Dimension [mm]



■ Connection Method



■ Technical Specification

	LVM 100
POWER:	3~40W AC 220-240V 50~60Hz
BATTERY:	2400 mA
OUTPUT:	DC 10 -120V
OUTPUT CURRENT:	100mA ±5%
TC :	80°
TA:	45°
IP RATE:	IP 20
EAN:	6925222048880